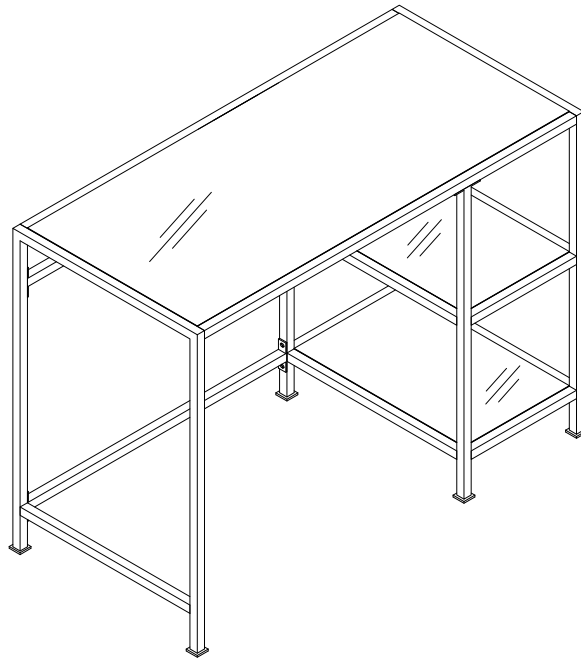
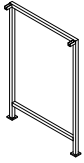
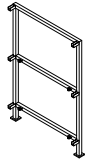
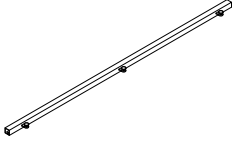
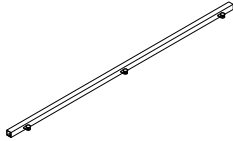
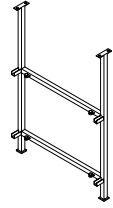

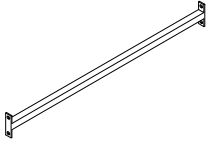
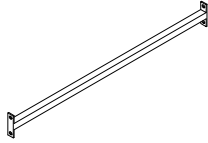
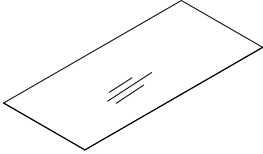
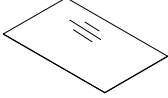




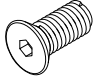

Desk  
CF6203



# PART LIST

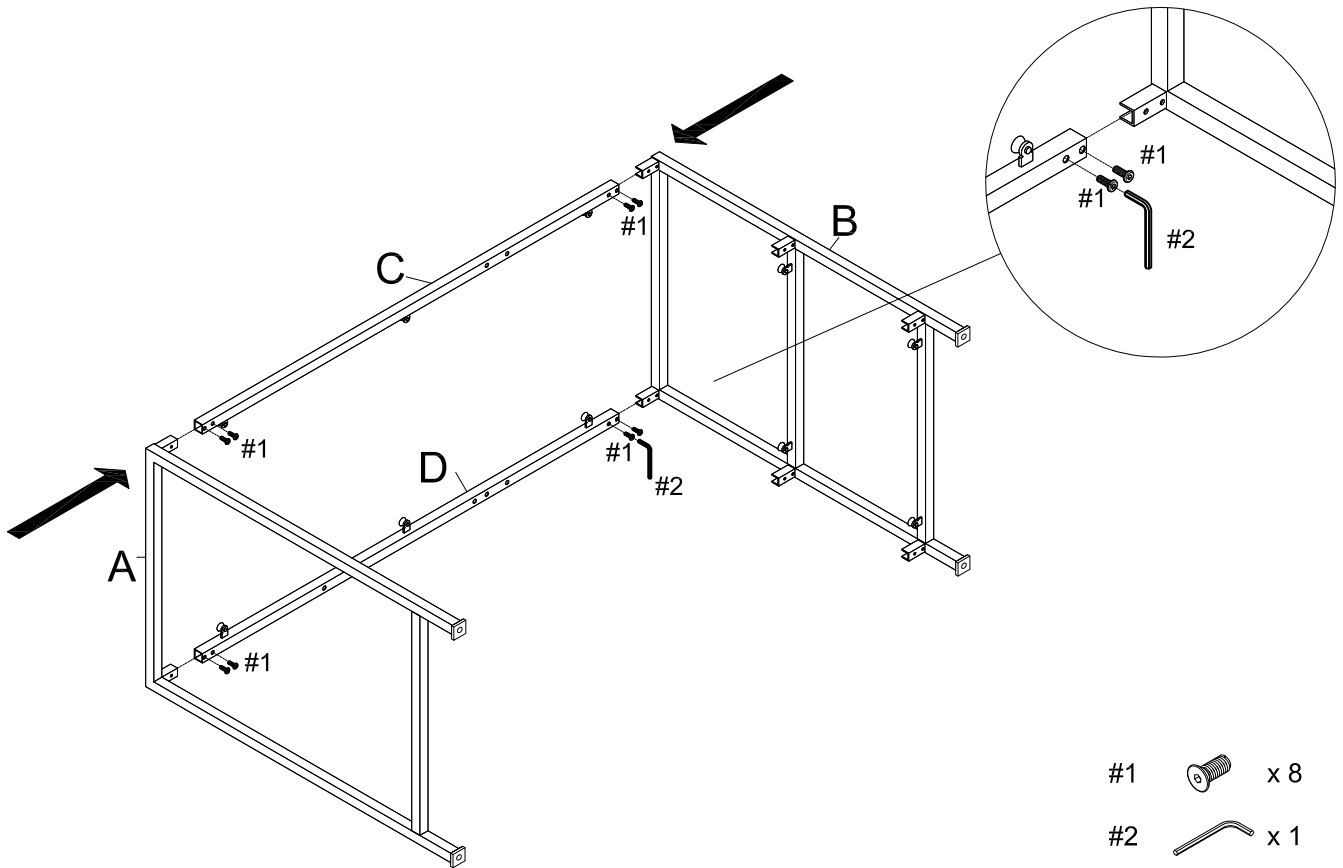
<p><b>A</b></p> 	<p><b>B</b></p> 	<p><b>C</b></p> 	<p><b>D</b></p> 	<p><b>E</b></p> 
<p>Left Panel 1 PC</p>	<p>Right Panel 1 PC</p>	<p>Front Rail 1 PC</p>	<p>Back Rail 1 PC</p>	<p>Middle Panel 1 PC</p>
<p><b>F</b></p> 	<p><b>G</b></p> 	<p><b>H</b></p> 	<p><b>I</b></p> 	<p><b>J</b></p> 
<p>Shelf Rail 4 PCS</p>	<p>Middle Rail 1 PC</p>	<p>Bottom Rail 1 PC</p>	<p>Top Glass 1 PC</p>	<p>Shelf Glass 2 PCS</p>

# HARDWARE LIST

<p><b>#1</b></p>  <p>1/4" x 1/2"</p>	<p><b>#2</b></p> 
<p>Sunk Bolt 28 PCS (Extra 1)</p>	<p>Allen Wrench 1 PC</p>

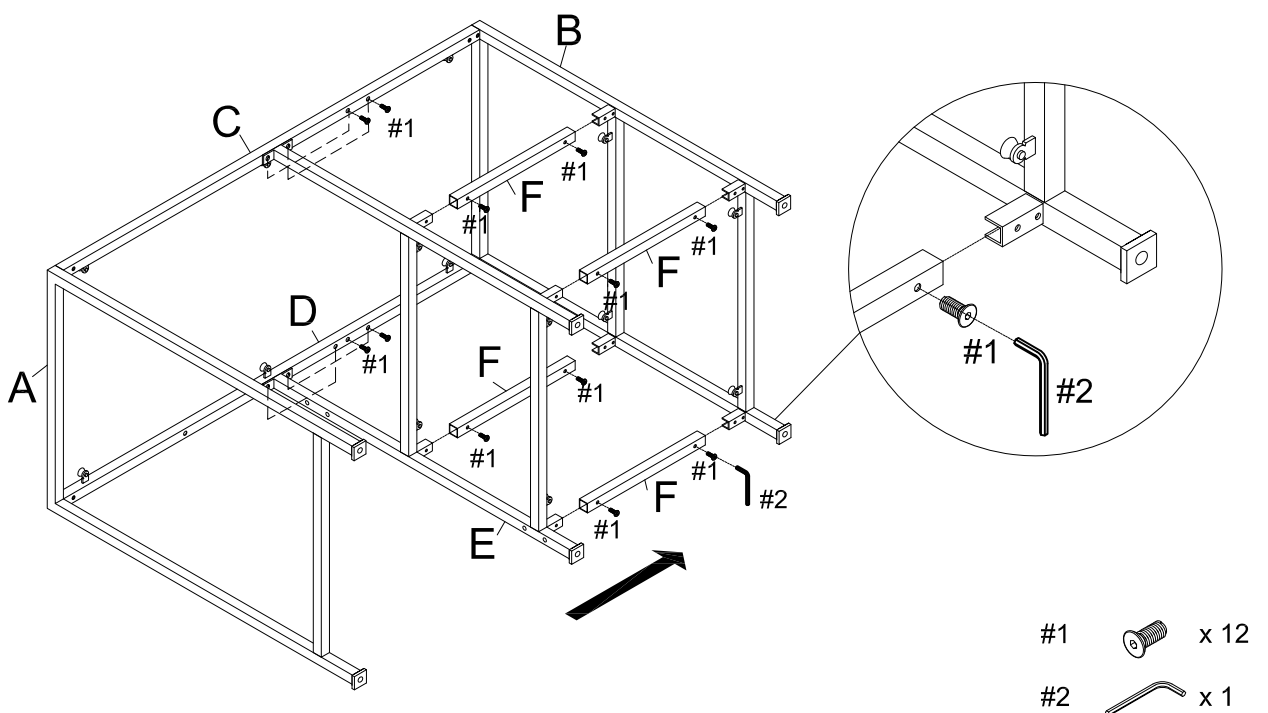
Step 1. Insert front rail (part C) and back rail (part D) into panels (parts A & B) using sunk bolts (part #1) and allen wrench (part #2).

Note: Please do not fully tighten bolts at this time.



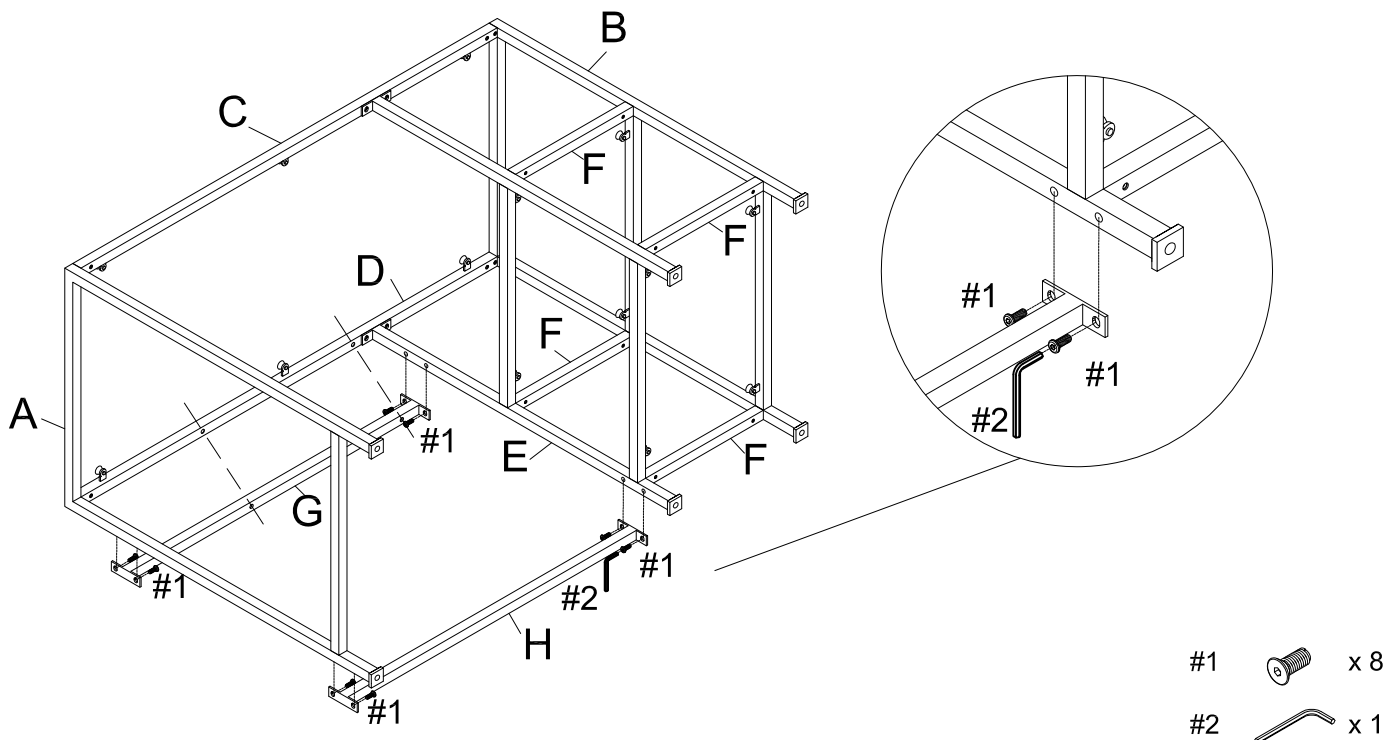
Step 2. Attach shelf rails (part F) into right panel (part B). Attach middle panel (part E) by inserting into shelf rails (part F) then to rails (parts C & D) using sunk bolts (part #1) and allen wrench (part #2).

Note: Please do not fully tighten bolts at this time.



Step 3. Attach middle rail (part G) and bottom rail (part H) between left panel (part A) and middle panel (part E) using sunk bolts (part #1) and allen wrench (part #2).

Note: The predrilled holes on middle rail (part G) need to face down.  
Please fully tighten all bolts at this time.



Step 4. Carefully turn unit upright. Install shelf glass (part J) into shelf frames and top glass (part I) into top frame.

